



ZEEPod PRE DRILLING CAPABILITY

DOCUMENT NO.: ZEE-PMT-PCS-003

Prepared by:
ZEE ENGINEERING SDN BHD
882 Block A1 Pusat Dagang Setiajaya
No. 9 Jalan PJS8/9 Bandar Sunway
46150 Petaling Jaya
Selangor Darul Ehsan, Malaysia

WWW.ZEE-ENG.COM

ZEEPod Pattern No.: PI2015002104

MALAYSIA | SINGAPORE | INDONESIA | SRI LANKA

1.0 INTRODUCTION

This section briefly describes the methodology to be adopted for pre-drilling activities.

The pre-drilling activities will only be activated in the case of Deck not been installed when drilling is to be commenced.

This pre-drilling activities must be read in conjunction with the ZEEPod installation sequence described in ZEE-VES-INS-011 (Attachment 1). Details of ZEEPod Pre-drilling Installation Sequence is attached in Attachment 2.

2.0 ZEEPOD PRE-DRILLING ACTIVITY – ZEEPOD INSTALLATION SEQUENCE

Predrilling Activity 1

Once the Sub-Sea Template is installed the Caisson shall be driven as described in the installation procedure to a level of +13.0 m, the verticality to be checked and if required adjusted. The Caisson shall be grouted.

Predrilling Activity 2

The Sleeve, the Raker piles and the Boat landing shall be installed. Refer to ZEEPod installation Sequence Steps 1 to 12.

Predrilling Activity 3

Install a temporary platform at approximate level (+) 5.5 m. This platform shall have conductor guides and to be designed as a working platform.

Install temporary clamps at approximate Level (+) 14.90. This level shall be determined by carrying “stick up” analysis assuming that the Christmas tree is installed on top of the conductor.

Predrilling Activity 4

Carry out drilling. After the drilling is complete install temporary clamps holding all the conductors at approximately level (+) 14.90.

Install additional temporary clamps to secure the conductors. Install sufficient temporary conductor protectors.

Drilling Rig is de-mobbed.

Predrilling Activity 5

When the Deck is ready to be installed mobilize the Crane Barge, and the Cargo Barge transporting the Deck.

Positioned the Crane Barge at the correct location and secure with pre-determined, pre-engineered anchor pattern. Locate the Cargo Barge in a position as determined by the Crane Barge Superintendent.

Prepare for Deck installation by de-securing the Deck sea-fastening and removing the Caisson temporary clamps.

Cut the Caisson up to level (+) 6.5, Level and bevel Caisson for welding

Predrilling Activity 6

Lift the deck off the Cargo Barge and position on top of the Sub-Structure.

The Deck equipment and piping shall be checked for any clashing for lowering the deck. 3D modelling program such as PDMS shall be used to check any clashing.

Predrilling Activity 7

Lower the Deck to the Sub-Structure via stabbing guide. Weld the Deck to the substructure via crown.

Remove all rigging and any debris.

Demob Crane and Cargo Barge.

The temporary platform may not be removed.

3.0 RELATED DOCUMENTS

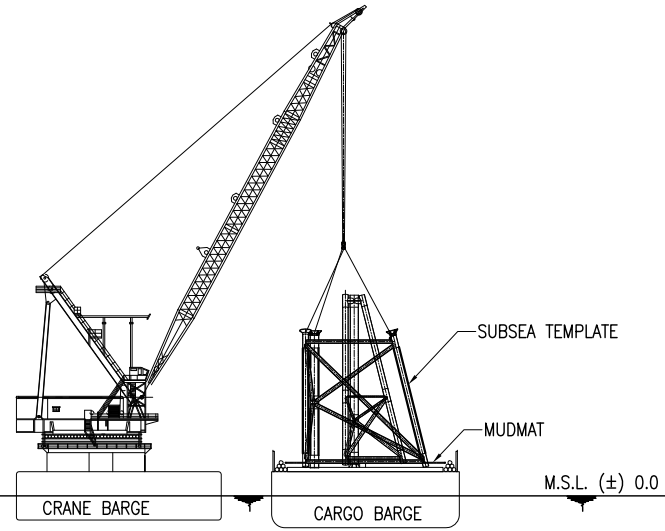
Doc No ZEE-PMT-PCS-001: Marginal Field Platform Hybrid Braced Monopod

Doc No ZEE-PMT-PCS-002: ZEEPod Overview

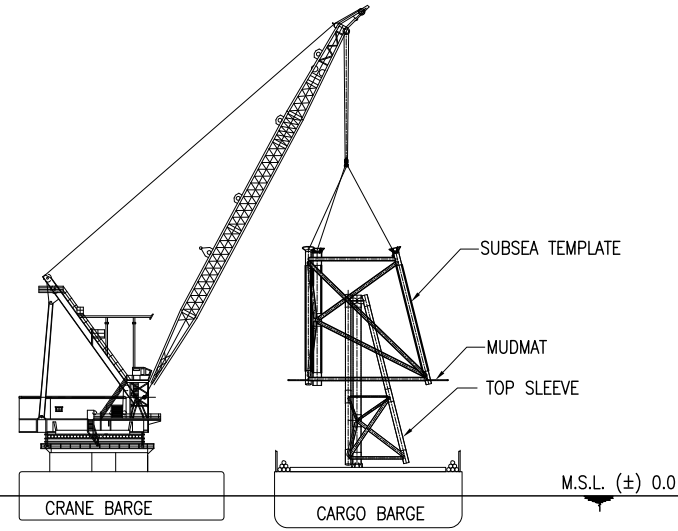
ATTACHMENT 1

ZEE-VES-INS-011 – ZEEPod INSTALLATION SEQUENCE

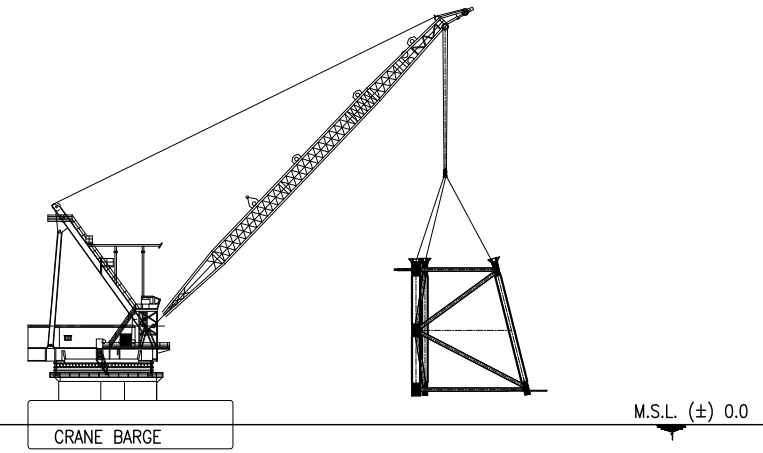
STEP-1 : PREPARE FOR LIFTING SUB-SEA TEMPLATE.



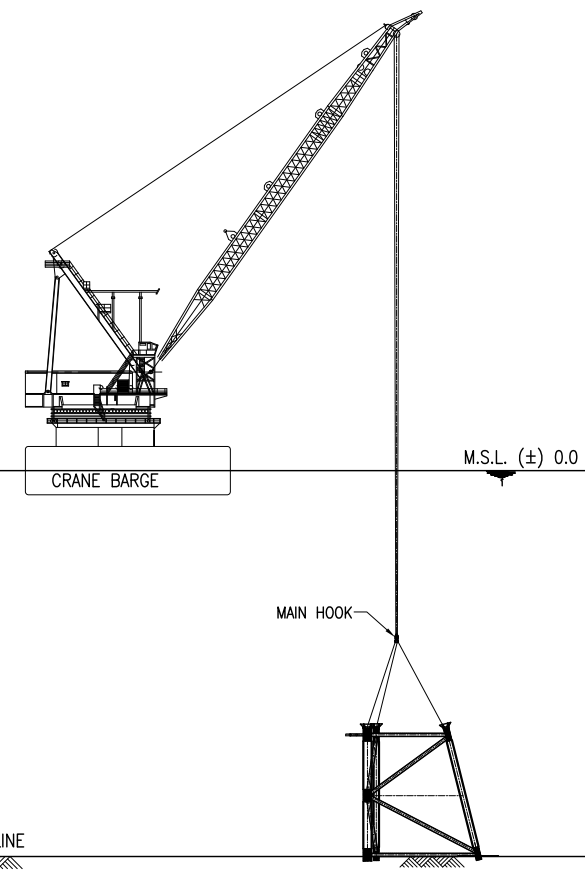
STEP-2 : LIFTING SUB-SEA TEMPLATE.



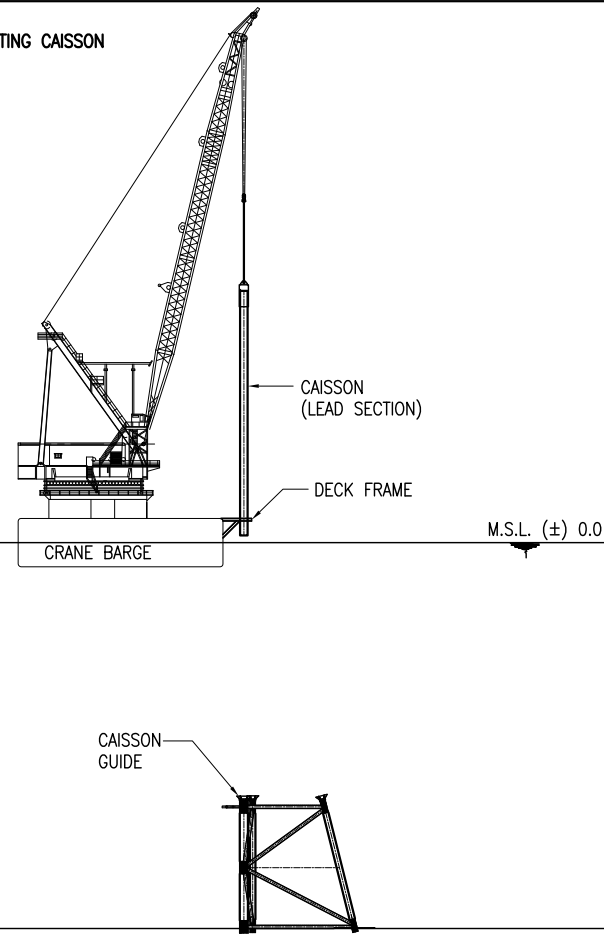
STEP-3 : POSITIONING SUB-SEA TEMPLATE.



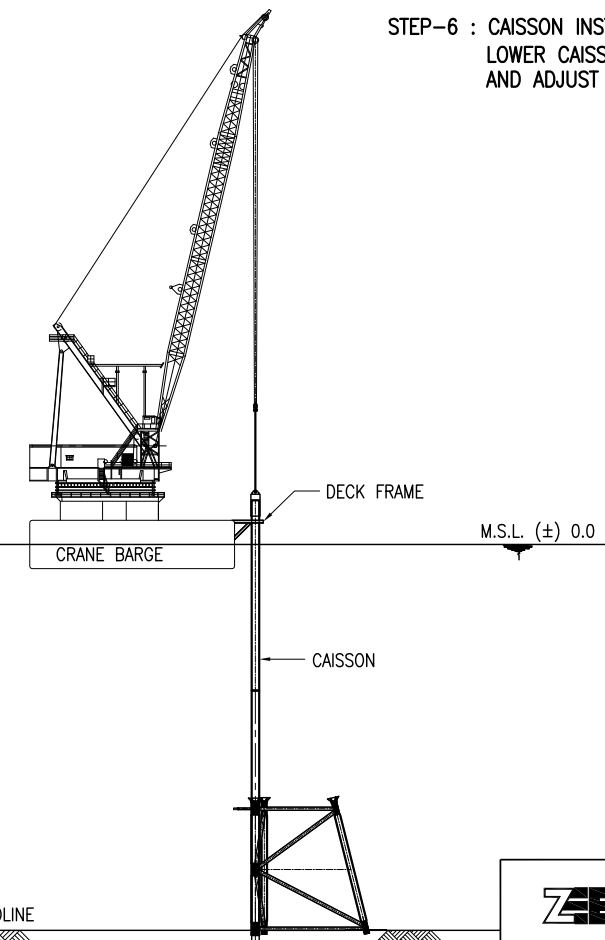
STEP-4 : SUB-SEA TEMPLATE AT SEA BED AND LEVEL.



STEP-5 : POSITION CB, LIFTING CAISSON



STEP-6 : CAISSON INSTALLATION.
LOWER CAISSON LEAD SECTION, CHECK VERTICALITY
AND ADJUST PILE CAISSON AND GROUT



NOTES :

DRAWING NO.	REFERENCE DRAWINGS	REV	DATE	BY	CHKD	APPD

REVISION

	SIGNED	DATE
DRAWN BY		
CHECKED BY		
APPROVED BY		
APPROVED BY		

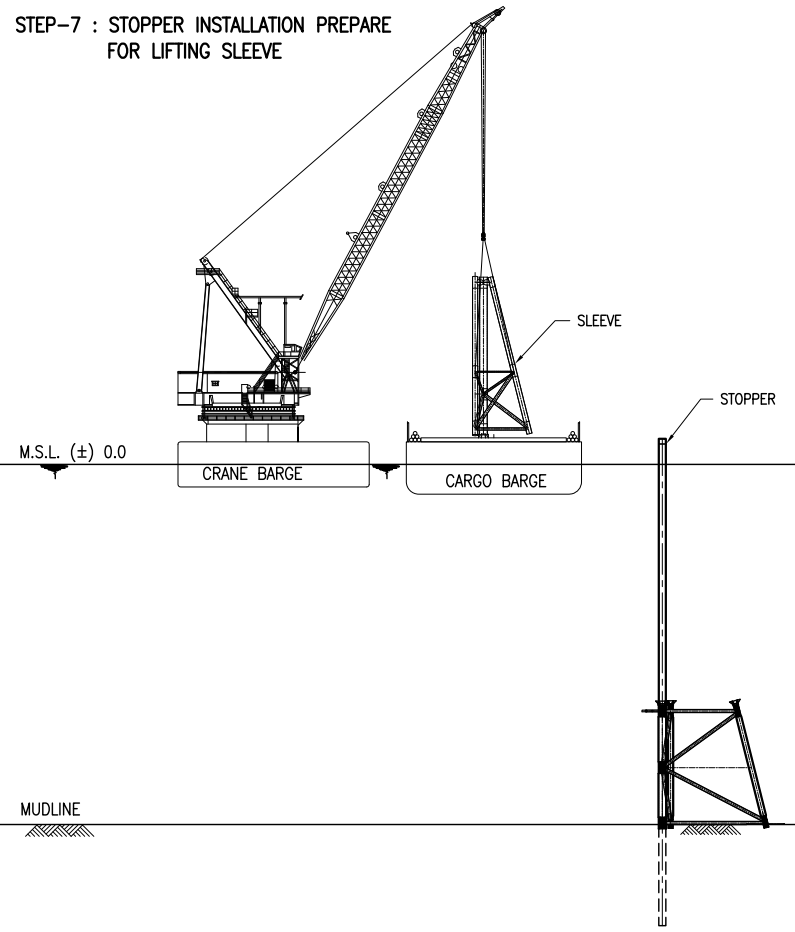
ZEE ENGINEERING CONSULTANTS
JAKARTA • KUALA LUMPUR • SINGAPORE

PROJECT

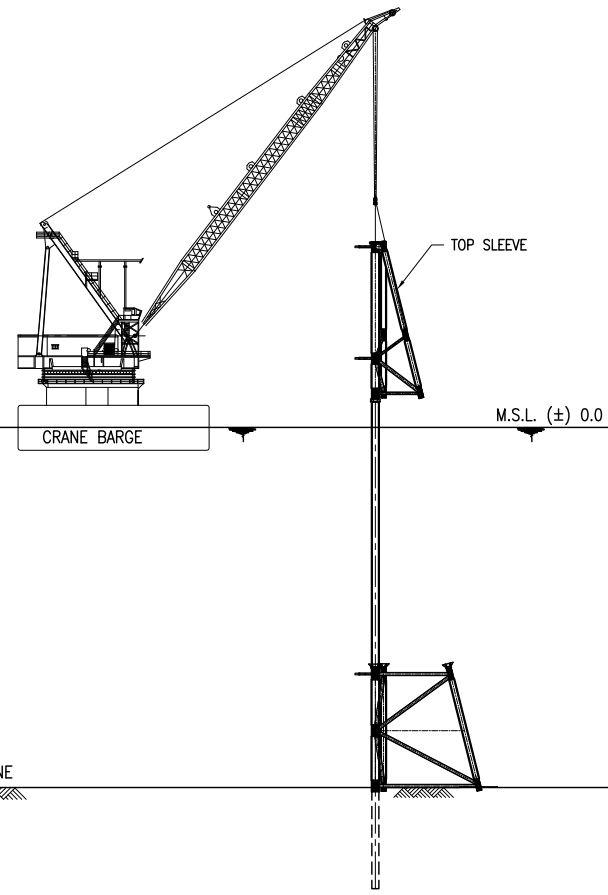
TITLE		SCALE	JOB No.	DRAWING No.	SHT NO.	REV
INSTALLATION SEQUENCE		1 : 700		ZEE-VES-INS-011	1 OF 3	A

CAD REF :

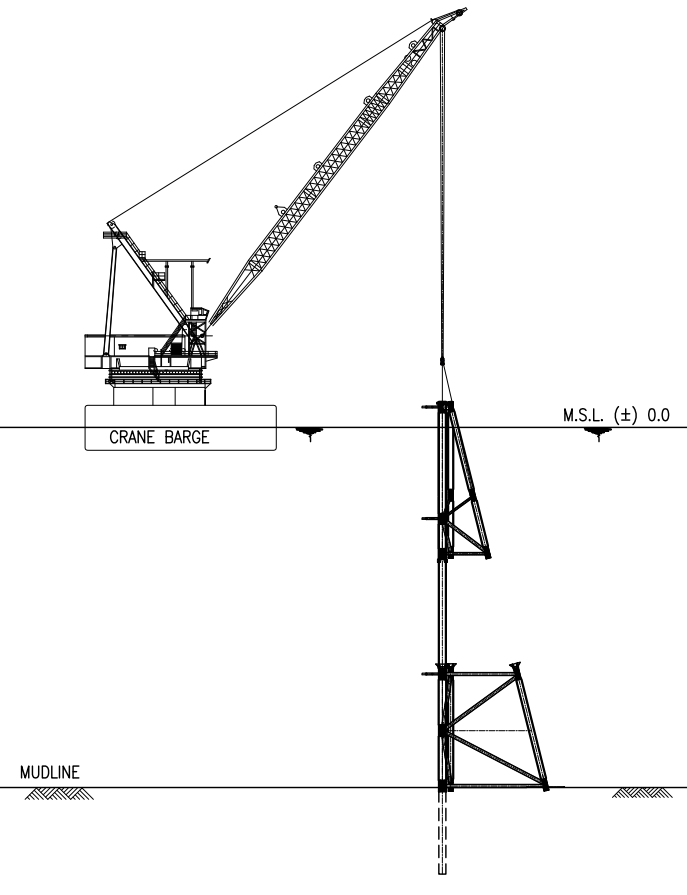
STEP-7 : STOPPER INSTALLATION PREPARE FOR LIFTING SLEEVE



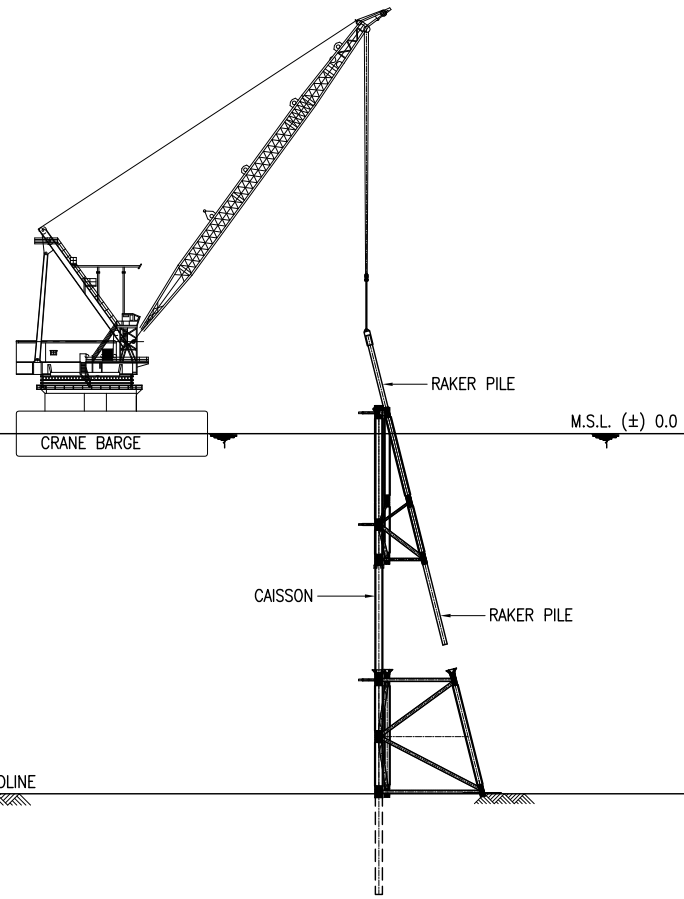
STEP-8 : LIFTING OF SLEEVE AND POSITIONING.



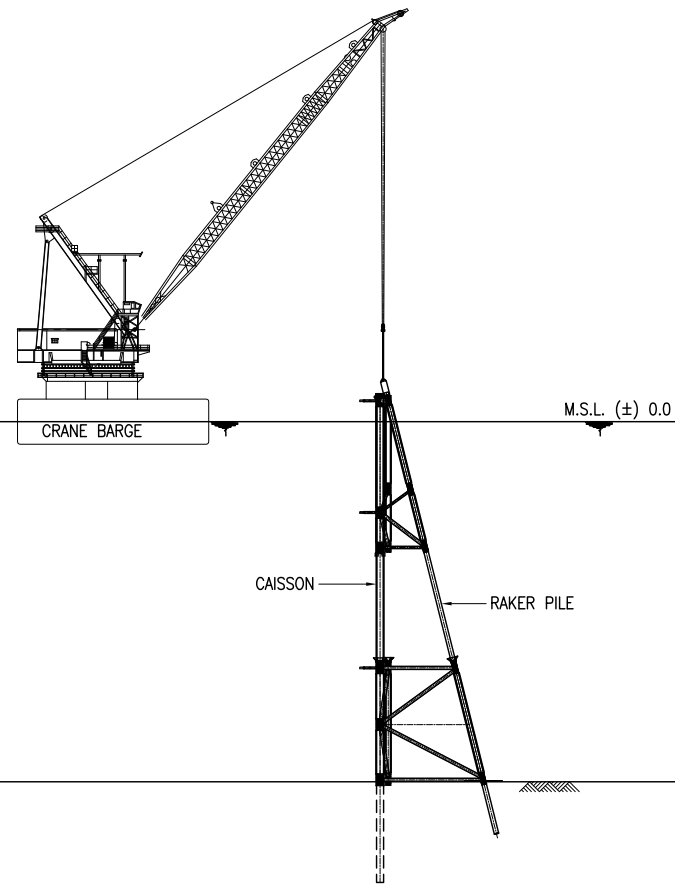
STEP-9 : LOWER SLEEVE AND LEVEL.



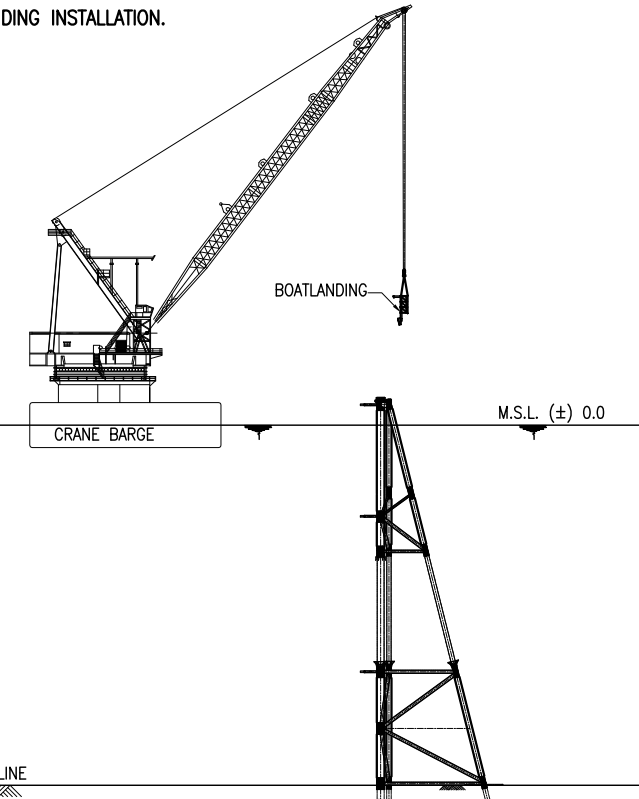
STEP-10 : RAKER PILE LIFT AND POSITIONING



STEP-11 : INSTALL RAKER PILES AS PER DESIGN SEQUENCE AND GROUT.



STEP-12 : BOATLANDING INSTALLATION.



NOTES :

DRAWING NO.	REFERENCE DRAWINGS	REV	DATE	BY	CHKD	APPD	REVISION

DRAWN BY	SIGNED	DATE

ZEE ENGINEERING CONSULTANTS
 JAKARTA • KUALA LUMPUR • SINGAPORE

PROJECT

TITLE: **INSTALLATION SEQUENCE**

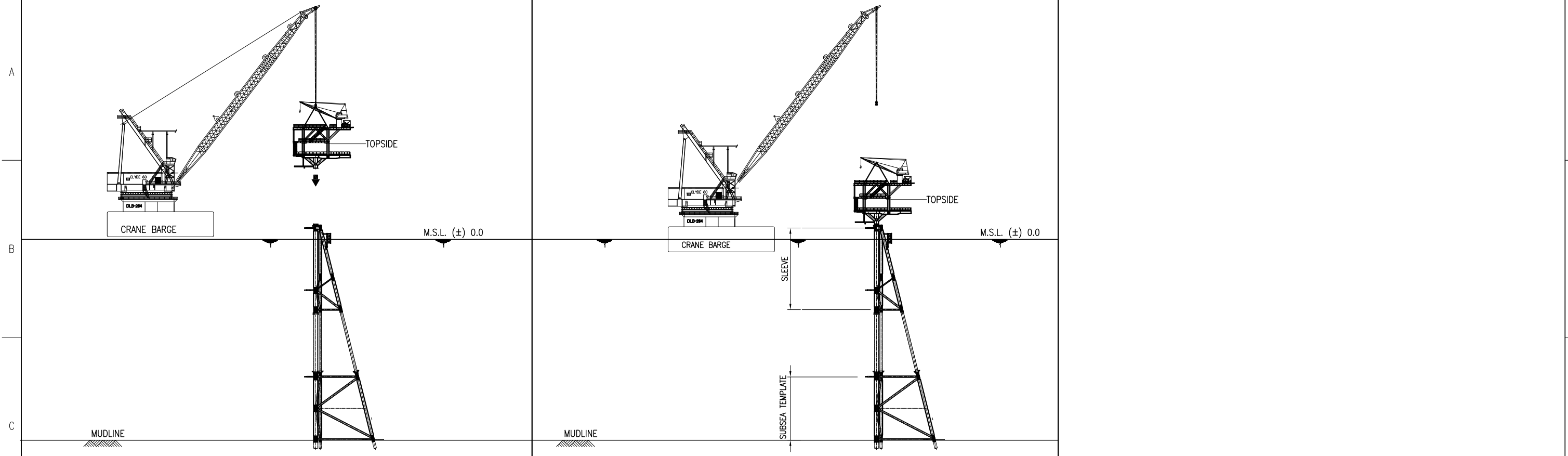
SCALE: 1 : 700

JOB No. DRAWING No. **ZEE-VES-INS-011** SHT NO. **2 OF 3** REV **A**

CAD REF :

STEP-13 : TOP SIDE INSTALLATION.

INSTALLATION COMPLETE.



ZEE ENGINEERING CONSULTANTS
 JAKARTA • KUALA LUMPUR • SINGAPORE

PROJECT

NOTES :

DRAWING NO.	REFERENCE DRAWINGS	REV	DATE	BY	CHKD	APPD	REVISION

	SIGNED	DATE
DRAWN BY		
CHECKED BY		
APPROVED BY		
APPROVED BY		

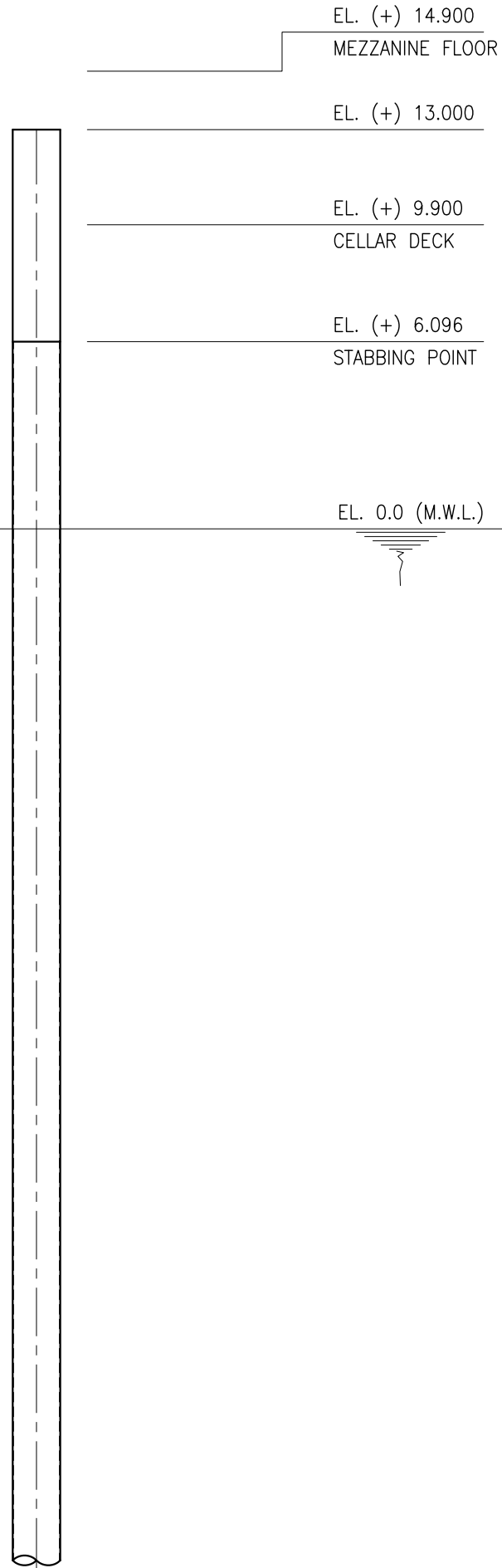
TITLE		INSTALLATION SEQUENCE	
SCALE	JOB No.	DRAWING No.	SHT NO.
1 : 700		ZEE-VES-INS-011	3 OF 3
			REV
			A

CAD REF :

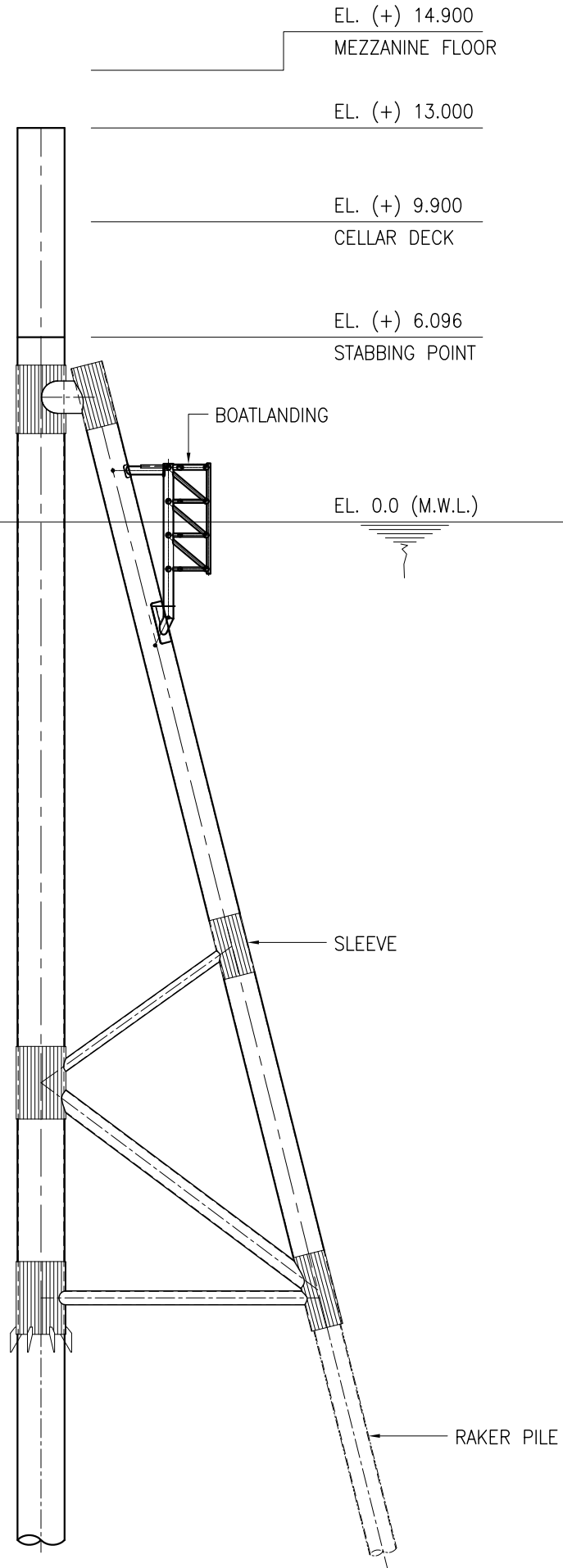
ATTACHMENT 2

EARLY DRILLING ACTIVITY – ZEEPod INSTALLATION SEQUENCE

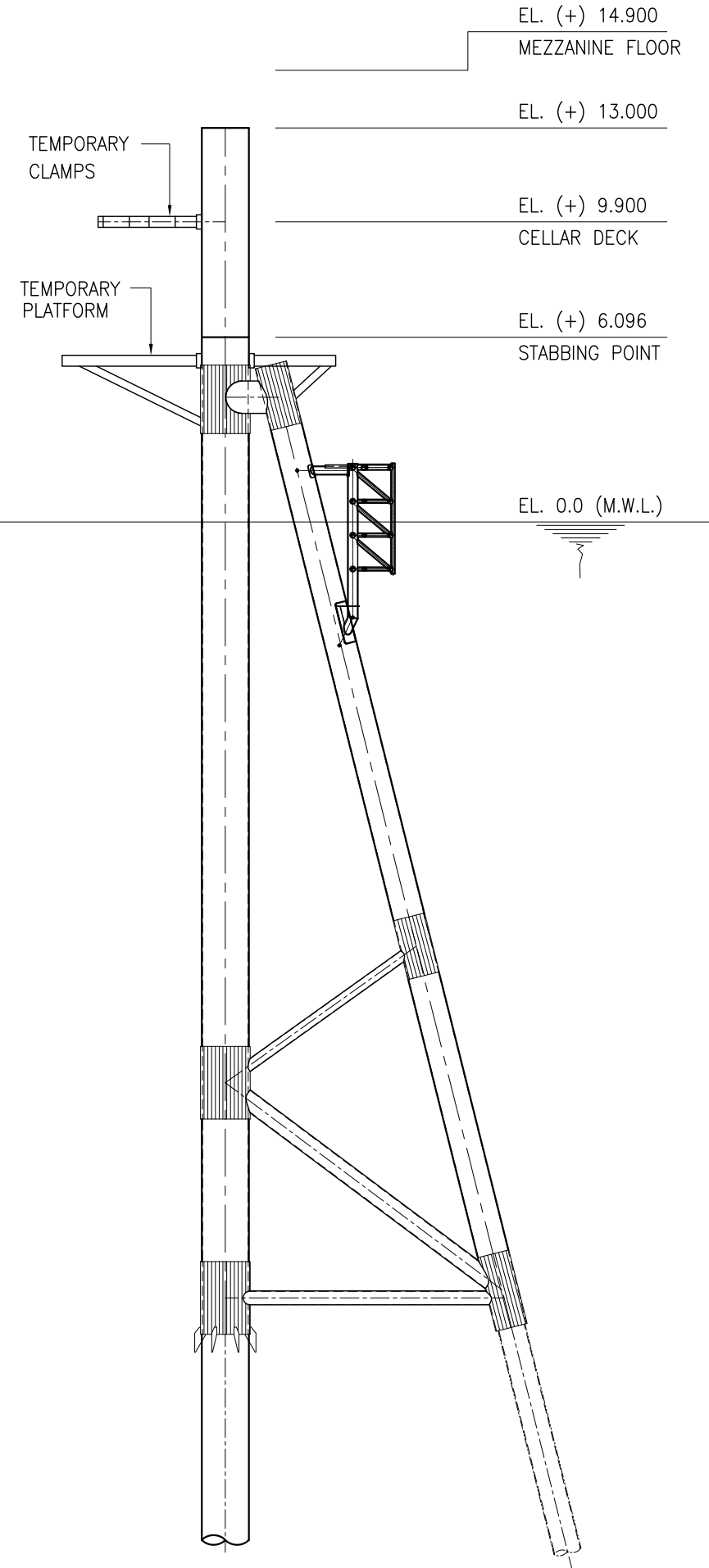
1. DRIVE CAISSON



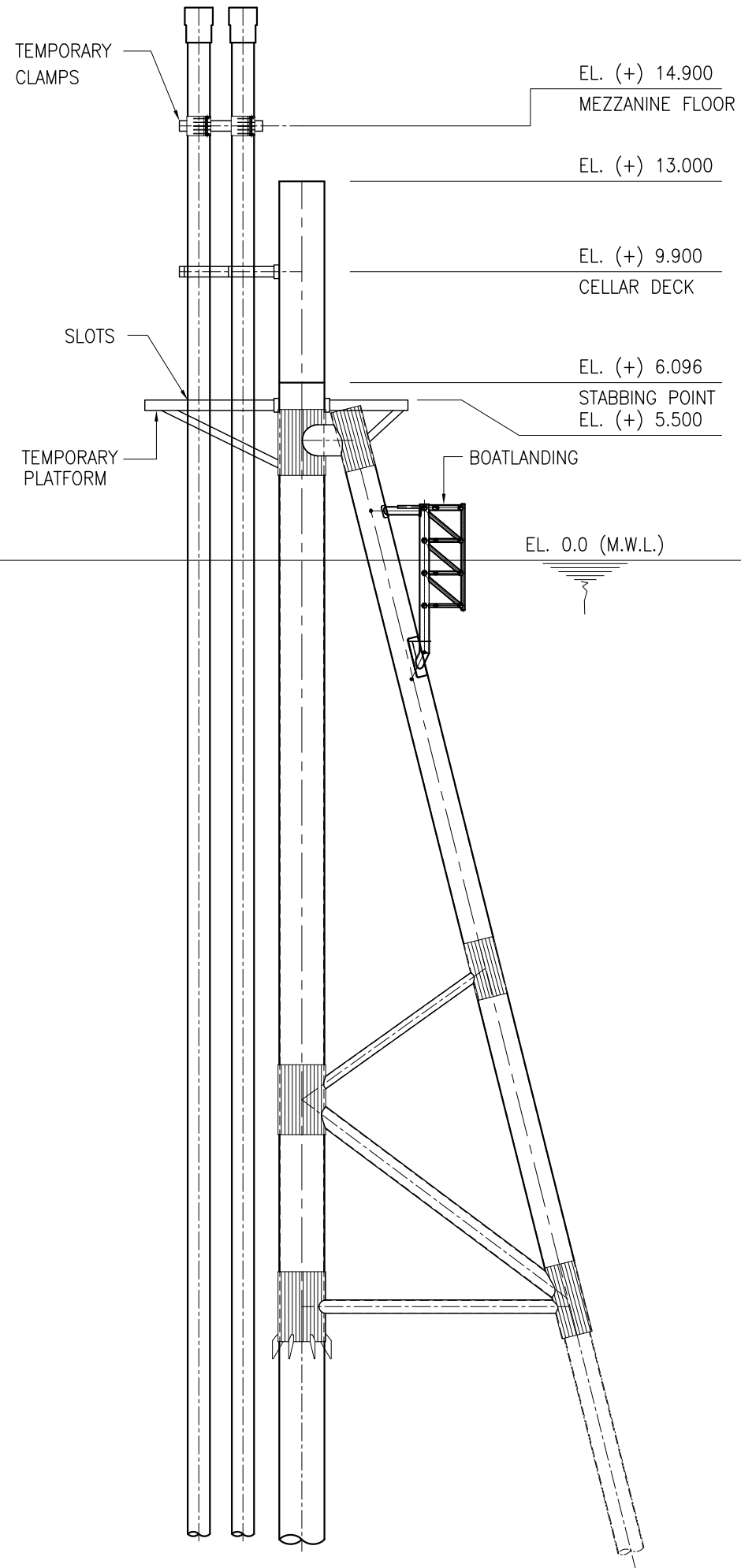
2. INSTALL SLEEVE, RAKER PILES & BOATLANDING



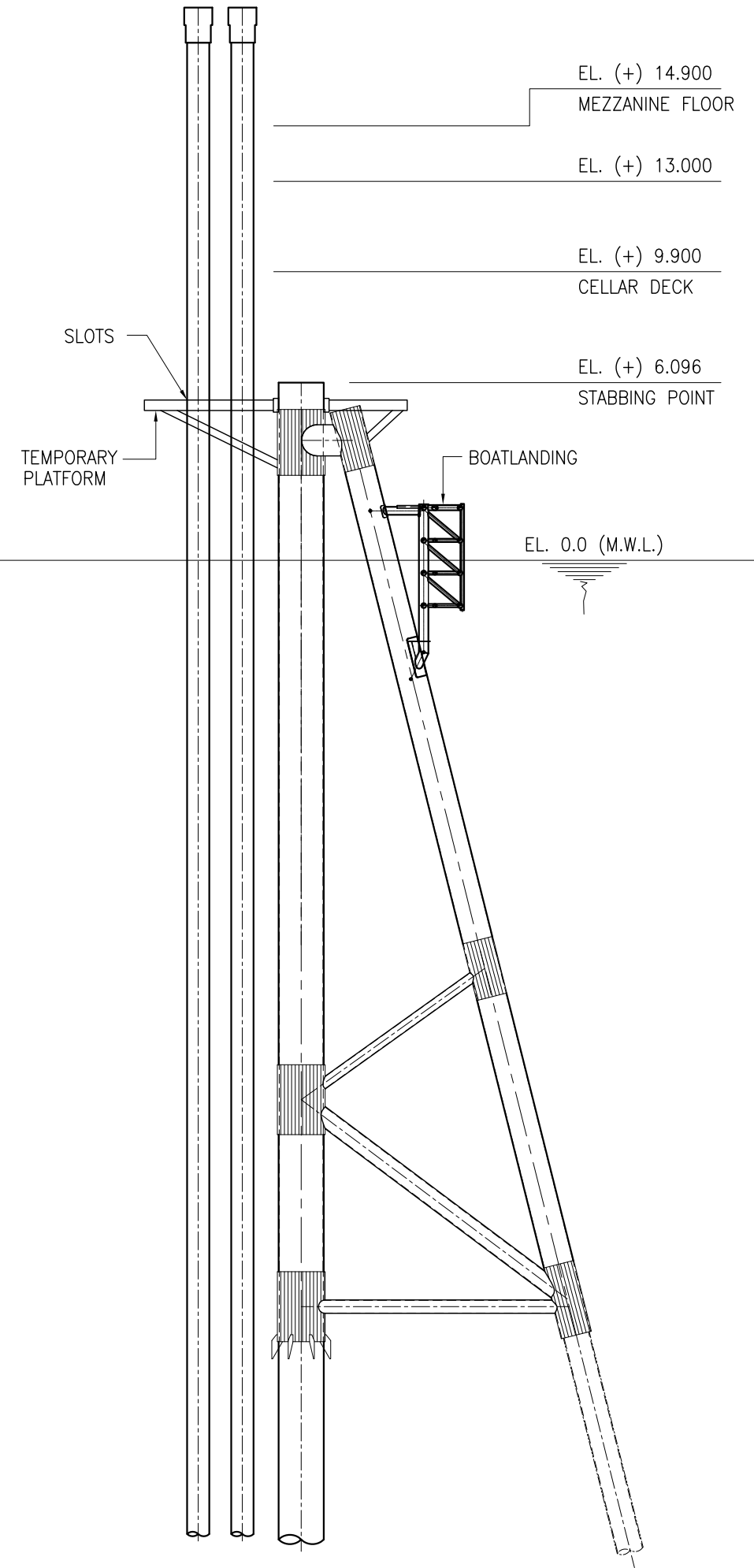
3. INSTALL TEMPORARY CLAMP AND TEMPORARY PLATFORM



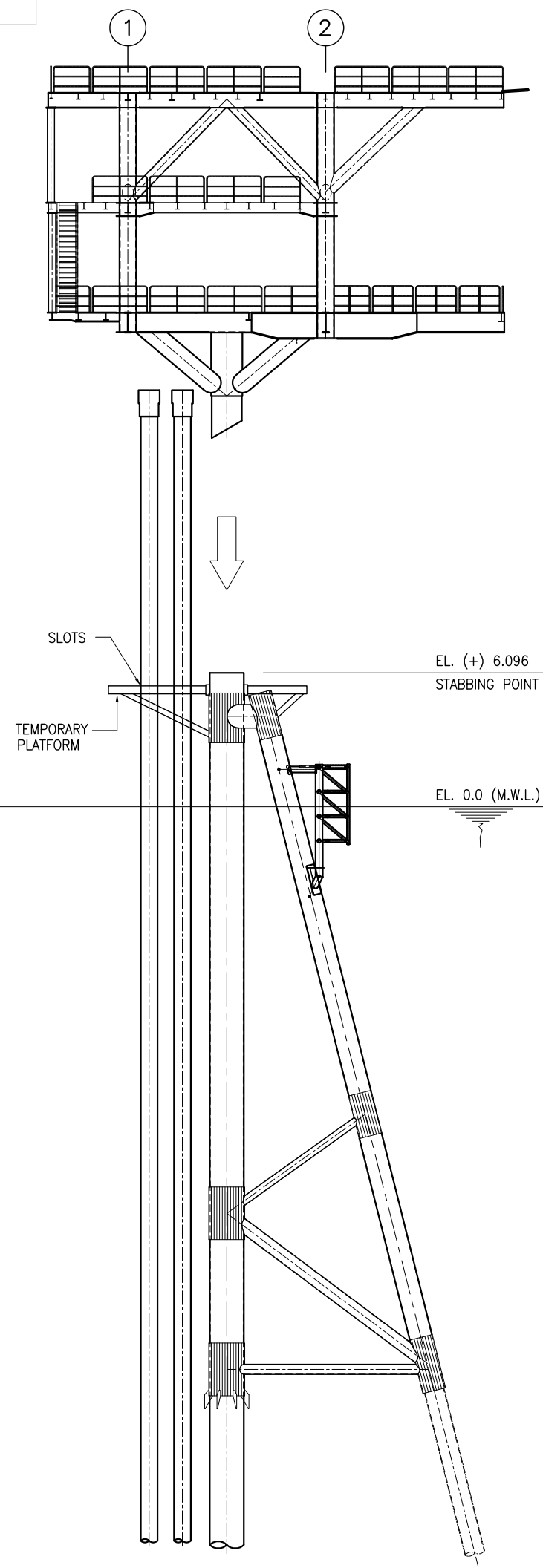
4. DRIVE CONDUCTORS AND SECURE



5. CUT CAISSON AT STABBING AND PREPARE



6. LIFT DECK AND POSITION



7. INSTALL DECK AND WELD

