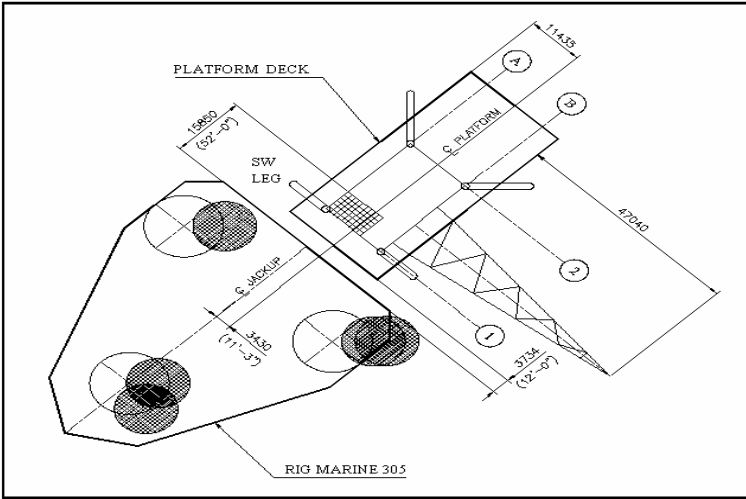


PROJECT:	FOUNDATION STUDY FOR JACK-UP RIG AT "ANOVA" PLATFORM	 
-----------------	---	---



OPERATOR: PREMIER OIL NATUNA SEA LTD. (INDONESIA)	PROJECT VALUE:
---	-----------------------

PROJECT DESCRIPTION:

The Company have plans to mobilize Jack-Up Rig Marine-305 in south face of existing platform Anova for drilling / work over. Due to existing spud can holes, the Company requires a study to check for punch through and a foundation solution to prevent such occurrence.

Date: 1998

CLIENT: ZEE in association with PT. Wirazee Adhi Engineering	CONTACT PERSON: David Brittan Mark Horsan Tel: (62-21) 718 2001
--	---

ZEE'S SCOPE OF WORK:

- Soil stabilization, rock fill
- New location for spud cans
- Foundation / soil study for punch through
- Recommendation, Risks

ZEE'S VALUE OF WORK: 60,000.00 US\$